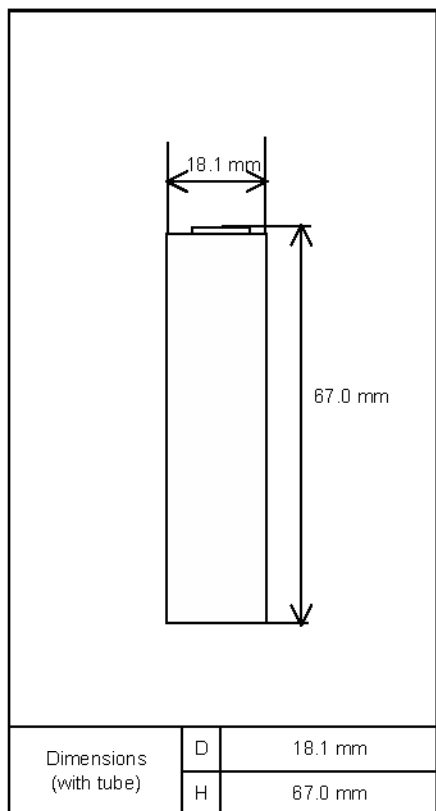


### Specifications

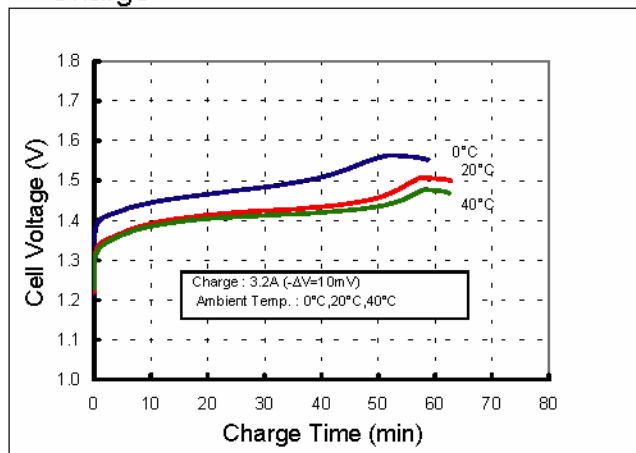


|  |                                |  |
|--|--------------------------------|--|
| Type : Nickel-Metal Hydride Battery                        |                                | Size : 4/3FA                                     |
| Capacity $\phi_1$  | Typical                        | 3200mAh  |
|  | Minimum                        | 3050mAh  |
| Nominal Voltage  |                                | 1.2V   |
| Charging Current $\times$ Time                             |                                | Fast Charge $\phi_2$ 3200 mA $\times$ about 1.1h |
| Ambient Temp.  | Charge Condition               | Fast Charge $\phi_2$ 0°C - 40°C                  |
|  | Discharge Condition 0°C - 50°C |  |
|  | Storage Condition              | Less than 30days                                 |
| Less than 90days   |                                | -20°C - 40°C                                     |
| Less than 1year  |                                | -20°C - 30°C                                     |
| Internal Impedance $\phi_3$ (after discharge to E.V.=1.0V) |                                | Approx. 6m $\Omega$ (at 1000Hz)                  |
| Weight $\phi_4$  |                                | Approx. 60 g                                     |
| Size $\phi_5$ : (Diameter) $\times$ (Height)               |                                | 18.1(D) $\times$ 67.0(H) mm                      |

- 1) Single cell capacity under the following condition.  
Charge : 320mA $\times$ 16h, Discharge : 640mA(E.V.=1.0V) at 20°C
- 2) Use recommended charging system.
- 3) After a few charge and discharge cycles under the above 1) condition.
- 4) With tube.

### Typical Characteristics

#### Charge



#### Discharge

