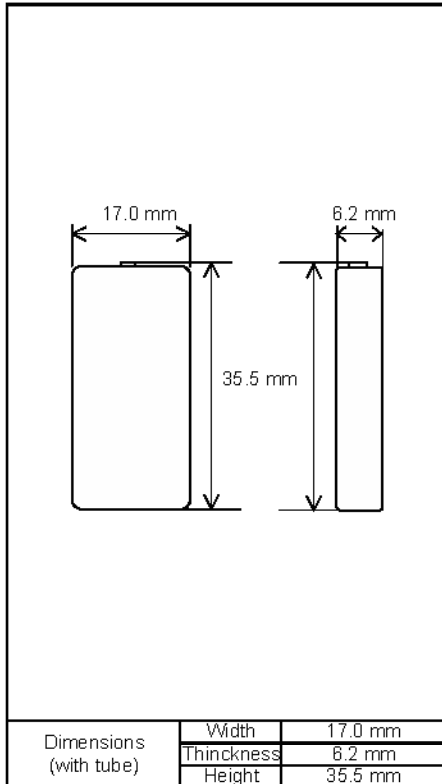




## Cell Type HF-C1U

### Specifications

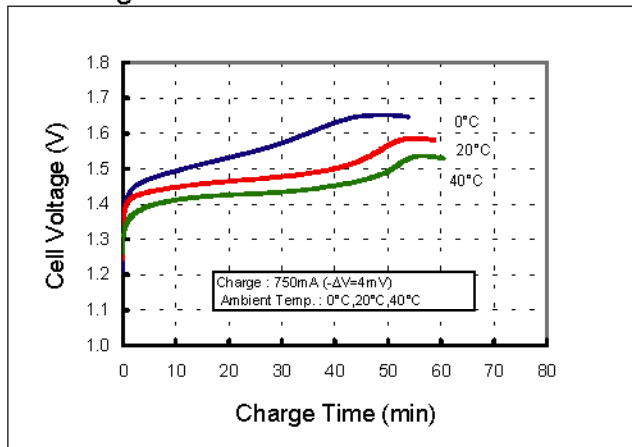


Type : Nickel-Metal Hydride Battery		Size : C1	
Capacity $\phi$	Typical	700mAh	
	Minimum	670mAh	
Nominal Voltage		1.2V	
Charging Current $\times$ Time	Fast Charge $\phi$	700 mA $\times$ about 1.1h	
Ambient Temp.	Charge Condition	Fast Charge $\phi$	
	Discharge Condition	0°C - 50°C	
	Storage Condition	Less than 30days	-20°C - 50°C
		Less than 90days	-20°C - 40°C
Less than 1year		-20°C - 30°C	
Internal Impedance $\phi$ (after discharge to E.V.=1.0V)		Approx. 30m $\Omega$ (at 1000Hz)	
Weight $\phi$		Approx. 14 g	
Size $\phi$ : (Width) $\times$ (Thickness) $\times$ (Height)		17.0(W) $\times$ 6.2(T) $\times$ 35.5(H) mm	

- 1) Single cell capacity under the following condition.  
Charge : 70mA $\times$ 16h, Discharge : 140mA(E.V.=1.0V) at 20°C
- 2) Use recommended charging system.
- 3) After a few charge and discharge cycles under the above 1) condition.
- 4) With tube.

### Typical Characteristics

#### Charge



#### Discharge

